



Article no. 480F45=50000

Avantgarde XXL 2

Folding wheelchair for active use, max. user weight: 180 kg.

Pre-settings and standard equipment are on gray ground.

Order Provide estimate only Attachment for special fabrication

Company: _____ Customer no.: _____

Address: _____ Telephone: _____

_____ e-mail: _____

Sales person: _____ Fax: _____

Delivery to: see above _____ Date: _____

Company: _____

Address: _____

Signature: _____

Standard Equipment (without additional charge)

- Aluminum side panels
- Single-panel aluminum footrest
- Optimized rear wheel attachment device
- Backrest adaptable and height adjustable

Basis Data (voluntary indications) *

Sex	Patient height in cm	Indication
Age	Patient weight in kg	Insurance/paying party

* These indications will help to support user-oriented settings and development of the products. Otto Bock guarantees that these data will be used confidentially and only internally.

Measurement Data (please observe measuring instructions: see information sheet)

Please fill in completely

Seat width (SB) 50 52 54 56
(in cm) 58 60 62

Seat depth (ST) 40 42 44 46 48
(in cm) 50 52 54 56

Back height (RH) _____ cm
Possible setting range 25-50 cm

Lower leg length (UL) _____ cm
Possible setting range 31-55 cm

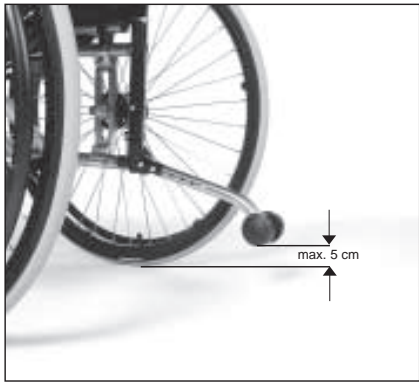
Anterior seat height (VSH) _____ cm
Possible setting range 45-53.5 cm

Seat cushion thickness (DI) _____ cm

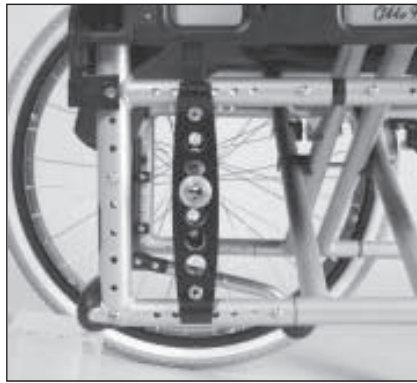
Posterior seat height (HSH) _____ cm
Possible setting range 40-51 cm

Rear wheel position (center of gravity)
-Possible mounting position A to G





Anti-tipper



Rear wheel adapter



Amputation legrest



Adaptable back straps



Ergo back



Push handles, short



Push handles, detachable



Side panels with protection against cold



Desk side panel, short armrest



Back stabilizer



Caster fork, long, 7" pneumatic tire

Frame Colors and Combination of Cover Fabrics

<input type="checkbox"/> brilliant silver	<input type="checkbox"/> signal red	sparkling add. charge	Nylon cover fabric	
<input type="checkbox"/> black / gold glitter	<input type="checkbox"/> jeans-metallic		<input type="checkbox"/> red	<input type="checkbox"/> black
<input type="checkbox"/> anthracite metallic	<input type="checkbox"/> shimano matte		<input type="checkbox"/> orange	<input type="checkbox"/> blue
<input type="checkbox"/> enchanté blue	<input type="checkbox"/> green metallic		<input type="checkbox"/> blue green	<input type="checkbox"/> red
<input type="checkbox"/> saturn blue metallic	<input type="checkbox"/> black		<input type="checkbox"/> Granny-Smith	<input type="checkbox"/> without seat upholstery*
			<input type="checkbox"/> lemon	<input type="checkbox"/> without back upholstery*

*For colors please refer to our brochure and sample cards.

* price reduction

Frame	Article no.
<input type="checkbox"/> standard	481A45=SK214
<input type="checkbox"/> 2 cm offset	481A45=SK215

Frame Accessories	Article no.	
<input type="checkbox"/> Transport wheels (1 pair)*	481A45=PK220	add. charge
<input type="checkbox"/> Anti-tipper, right	481A45=RK080	add. charge
<input type="checkbox"/> Anti-tipper, left	481A45=LK080	add. charge
<input type="checkbox"/> Tip-assist <input type="checkbox"/> right <input type="checkbox"/> left	481A45=SK094	add. charge
<input type="checkbox"/> Crutch holder <input type="checkbox"/> right <input type="checkbox"/> left	481A45=SK099	add. charge
<input type="checkbox"/> Frame pad, black (2 pcs.)	481A08=ST235	add. charge
<input type="checkbox"/> Touch-up applicators (corresponding to the selected frame color) 635 L 65=		add. charge

*Transport wheel in combination with anti-tipper is not possible

Footrests	Article no.	
<input type="checkbox"/> Single-panel footrest, angle adjustable, 12.5 cm deep	481B45=SK060	add. charge
<input type="checkbox"/> Single-panel footrest, angle adjustable, 16 cm deep	481B45=SK080	
<input type="checkbox"/> Amputation legrest, adjustable, left*	481B45=LK230	add. charge
<input type="checkbox"/> Amputation legrest, adjustable, right*	481B45=RK230	add. charge

* Always delivered together with second individual footrest, angle adjustable

Accessories – Footrests	Article no.	
<input type="checkbox"/> Locking device for single-panel footrest	481B45=SK063	add. charge
<input type="checkbox"/> Lateral heel block (only for footplates 16 cm deep, 2 pcs.)	481B45=SK110	add. charge

Seat	Article no.	
Standard foam cushion, black cover		
<input type="checkbox"/> 3 cm <input type="checkbox"/> 5 cm <input type="checkbox"/> 8 cm	481C00=SM850	add. charge
<input type="checkbox"/> Seat upholstery with pocket for catheter	481C45=SV039	add. charge

Please take also note of our offer for special seat cushions!

Back				
Back, standard	<input type="checkbox"/> 25 - 35 cm	<input type="checkbox"/> 30 - 40 cm	<input type="checkbox"/> 37.5 - 47.5 cm	
adaptable, height adjustable in increments of 2.5	481D45=SK001	481D45=SK002	481D45=SK022	
Ergo back	<input type="checkbox"/> 30 - 40 cm	<input type="checkbox"/> 35 - 45 cm	<input type="checkbox"/> 40 - 50 cm	add. charge
adaptable, height adjustable and angle adjustable from 9° in increments of 6° (pre-setting: -3°)	481D45=SK017	481D45=SK019	481D45=SK021	

Accessories – Back	Article no.		
Push handles	Back, standard	Ergo back	
<input type="checkbox"/> short	481D00=SK200	481D08=SK003	
<input type="checkbox"/> long	481D45=SK100	481D45=SK101	
<input type="checkbox"/> height adjustable / detachable	481D45=SK103	481D45=SK104	add. charge

Accessories – Back	Article no.		
<input type="checkbox"/> telescoping (short handles) 10 cm adjustable	481D08=SK004	–	add. charge
<input type="checkbox"/> telescoping (long handles) 10 cm adjustable	481D45=SK102	–	add. charge
<input type="checkbox"/> Back stabilizer*	481D45=SK095	481D45=SK095	add. charge

** only in combination with push handles long or telescoping (long handles) 10 cm adjustable*

Side Panels	Article no.	Article no.	
	<i>Back, standard</i>	<i>Ergo back</i>	
<input type="checkbox"/> Adjustable with protection against cold*	481E45=PK035	481E45=PK036	
<input type="checkbox"/> Clothing protector, adjustable with protection against cold*	481E45=PK037	481E45=PK038	add. charge
<input type="checkbox"/> Plug-on plastic clothing protector	481E45=PK045	481E45=PK045	add. charge
<input type="checkbox"/> Side panel with short armrest (22 cm), height adjustable, detachable**	481E45=PK090	481E45=PK064	add. charge
<input type="checkbox"/> Side panel with long armrest (32 cm), height adjustable, detachable**	481E45=PK100	481E45=PK110	add. charge

**Aluminum side panels, ** Armrest of TechnoGel*

Casters	Article no.		
<i>For possible seat heights and combinations, please refer to table!</i>			
<input type="checkbox"/> 140 mm soft	140x40	481F00=SV310	
<input type="checkbox"/> 7" pneumatic tire	180x45	481F00=SV320	
<input type="checkbox"/> 8" pneumatic tire	200x45	481F00=SV345	

Caster Forks (incl. threaded axles)	Article no.		
<input type="checkbox"/> Short forks*	481F08=SE034		add. charge
<input type="checkbox"/> Long forks	481F45=PK040		

**not possible with 7" and 8"*

Accessories – Casters	Article no.		
<input type="checkbox"/> Forks with quick-release axles	481F45=PK045		add. charge

Rear Wheels (for possible seat heights, please refer to table) Article no.: 481G00=

Rims (incl. quick-release axles)	24"		
Hollow rim, reinforced spokes	<input type="checkbox"/> SV276		

Tires	24"		
Standard, white sidewall x1 3/8"	<input type="checkbox"/> SK423		
PU x 1" 3/8"	<input type="checkbox"/> ST437		

Push Ring	24"		
Aluminum, black coated, high	<input type="checkbox"/> SS824		
Aluminum, black coated, low	<input type="checkbox"/> SS814		
Aluminum, black anodized, high	<input type="checkbox"/> SE824		add. charge
Aluminum, black anodized, low	<input type="checkbox"/> SE814		add. charge
Rubber-coated, high	<input type="checkbox"/> SU824		add. charge
Rubber-coated, low	<input type="checkbox"/> SU814		add. charge
Stainless steel, polished, high	<input type="checkbox"/> SP834		add. charge
Stainless steel, polished, low	<input type="checkbox"/> SP844		add. charge

Push Ring

Titanium, polished, high	<input type="checkbox"/> SP854	add. charge
Titanium, polished, low	<input type="checkbox"/> SP864	add. charge
Top Grip (only high version possible)	<input type="checkbox"/> ST824	add. charge
<input type="checkbox"/> Narrow mounting position	<input type="checkbox"/> Wide mounting position	

Accessories – Rear Wheel

24"

Drum brake for attendant	<input type="checkbox"/> 481G45=PK054	add. charge
--------------------------	---------------------------------------	-------------

Accessories – Rear Wheel

24"

<input type="checkbox"/> Push ring cover, rubber-coated, only 24" (2 pcs.)	481G00=ST454	add. charge
<input type="checkbox"/> High pressure air pump, 14 bar	481G00=ST301	add. charge
<input type="checkbox"/> Airman pump, battery-operated	481G00=ST307	add. charge

Spoke Protector

24"

<input type="checkbox"/> Triangle decor	481G08=SK734	add. charge
<input type="checkbox"/> Street decor	481G08=SK774	add. charge
<input type="checkbox"/> Transparent	481G08=SK702	add. charge

Wheel Locks

Article no.

<input type="checkbox"/> Wheel locks, standard	481H08=PK001	
<input type="checkbox"/> Wheel locks, swing-away	481H08=PK030	add. charge
<input type="checkbox"/> Dual-activating wheel locks for user and attendant	481H45=PK040	add. charge
<input type="checkbox"/> One hand activated wheel lock, left*	481H08=LK036	add. charge
<input type="checkbox"/> One hand activated wheel lock, right*	481H08=RK036	add. charge

**incl. wheel lock lever extension on the activating side!*

Accessories – Wheel Locks

Article no.

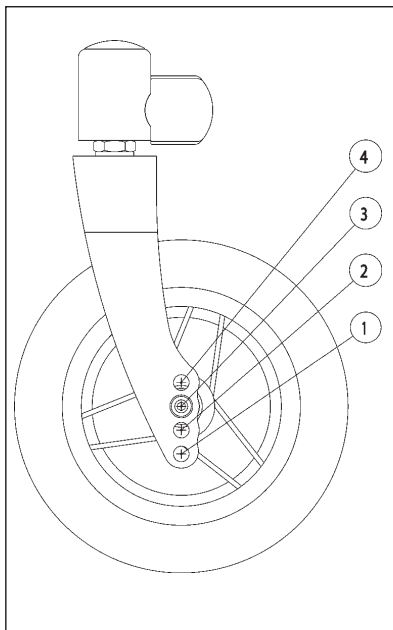
<input type="checkbox"/> Wheel lock lever extension, attachable (2 pieces)	481H08=SK028	add. charge
--	--------------	-------------

Other Accessories

Article no.

<input type="checkbox"/> Safety belt with metal closure	481C08=SK070	add. charge
<input type="checkbox"/> Tool kit	481C08=ST010	add. charge

Anterior Seat Height (in cm), measured without seat cushion and with 0° seat inclination

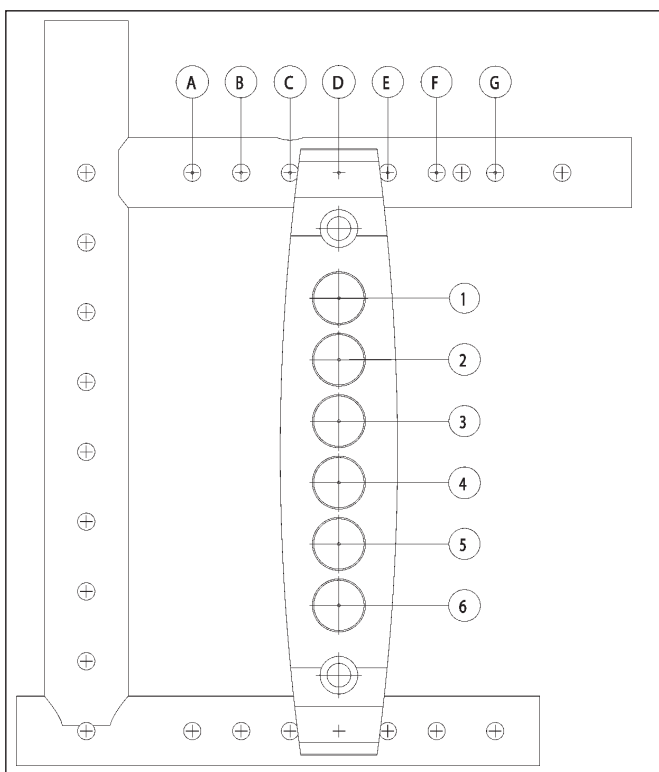


	Position	Anterior seat height		
		140mm	7"	8"
Caster fork short	Position 4	1)	1)	1)
	Position 3	1)	1)	1)
	Position 2	45,5	1)	1)
	Position 1	47	49	1)
Caster fork long	Position 4	47	49	1)
	Position 3	48	50	51
	Position 2	49,5	51,5	52,5
	Position 1	50,5	52,5	53,5

1) Combination is not possible.

The anterior seat height (VSH) is dependent on the selected wheel size, caster fork, and mounting position. Please refer to the seat height table!

Posterior Seat Height (in cm), measured without seat cushion and with 0° seat inclination



Mounting positions	Posterior seat height
	24"
1	40 cm
2	42.5 cm
3	44.5 cm
4	47 cm
5	49 cm
6	51 cm

The posterior seat height (HSH) is dependent on the selected wheel size and mounting position in the rear wheel attachment device. Please refer to the seat height table!

Important:

Between the front and rear axle position, the axle can be adjusted horizontally in 7 positions (A to G).

Position A allows a passive center of gravity. In position G, the most active center of gravity is reached.

If no indication for the desired rear wheel position is made on page 1, it will be factory-mounted in position D/ 4.

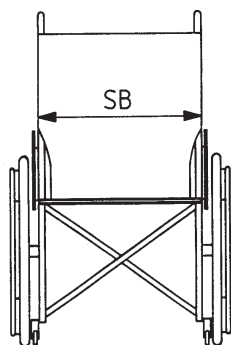
Seat inclination: 10 cm maximal seat height difference between anterior seat height and posterior seat height (corresponds to a seat inclination of approx. 15°).

Note: Without indication of the desired seat inclination, it will be factory-set at approx. 4°.

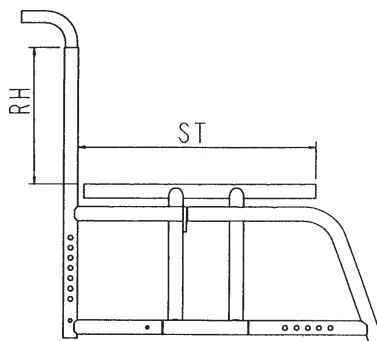
The values indicated are measurements which have been theoretically determined. Not all adjustment possibilities can be used for all wheelchair models. Further, the adjustment combinations are limited due to the frame geometry. We reserve the right to technical alterations and tolerances.

Measurements Avantgarde XXL 2

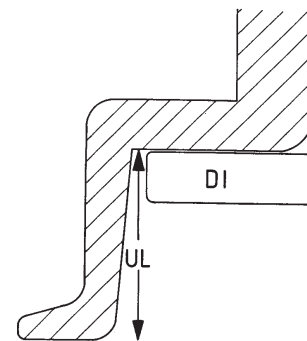
Seat width (SB)



Back height (RH) / Seat depth (ST)



Lower leg length (UL)



Avantgarde XXL 2 – Overall length (in cm)

Seat depth	Lower leg length max./min.	24"	
		Rear axle posit.	Front axle posit.
40	55	95.5	85
	32	89.5	79
42	55	97.5	87
	32	91.5	81
44	55	99.5	89
	32	93.5	83
46	55	101.5	91
	32	97.5	85
48	55	103.5	93
	32	97.5	87
50	55	105.5	95
	32	99.5	89
52	55	107.5	97
	32	101.5	91
54	55	109.5	99
	32	103.5	93
56	55	111.5	101
	32	105.5	95

Avantgarde XXL 2 – Overall width (in cm)¹⁾

Seat width	Standard side panels & clothing protectors	Side panel with armrest, height adjustable	Rear wheel with drum brake
50	66.5	69	70
52	68.5	71	72
54	70.5	73	74
56	72.5	75	76
58	74.5	77	78
60	76.5	79	80
62	78.5	81	82

¹⁾ Indications apply to push ring attachment narrow (with push ring attachment wide: +20 mm).

Some of the models shown here feature special equipments for additional charge. The indications regarding scope of delivery, appearance, measurements and weights correspond to the knowledge at the time of printing. Modifications reserved.